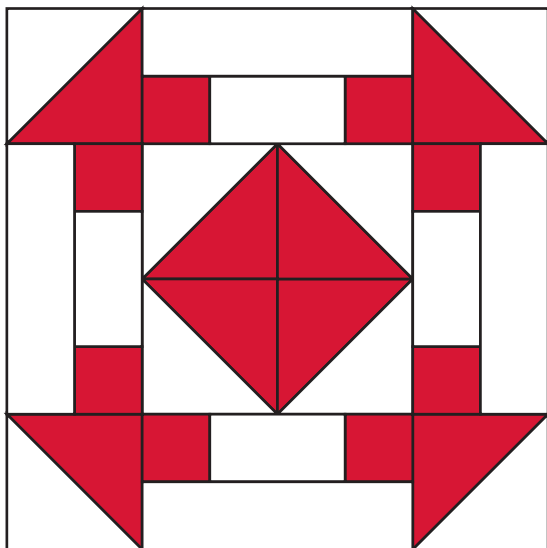


Christmas Countdown



DAY 5

Block 5



Cut:

- (4) 2" white squares
- (4) 2½" x 1" white rectangles
- (4) 1½" x 1" white rectangles
- (4) 2" red squares
- (8) 1" red squares

Block Assembly:

Draw a diagonal line on the back of the white 2" squares.

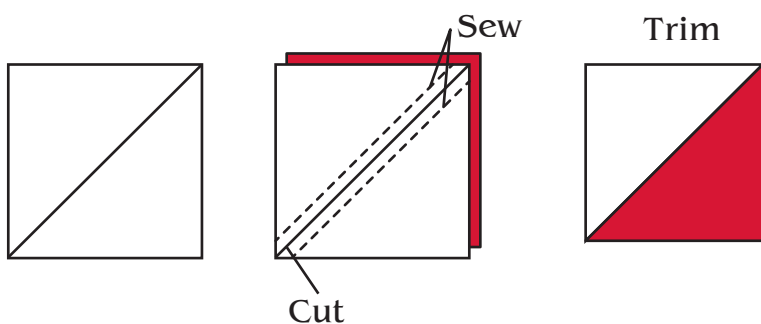
Layer, right sides together, a red and white 2" square.

Sew a ¼" on both sides of the drawn line.

Cut apart on the drawn line.

Press and trim to 1½" square.

Make 8 half square triangles.



Assembly Diagram

