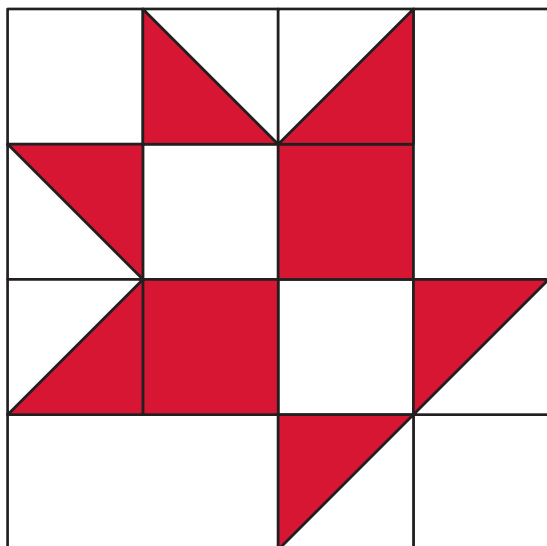


Christmas Countdown



DAY 1

Block 1



Cut:

- (4) 1 1/2" white squares
- (3) 2" white squares
- (2) 2 1/2" x 1 1/2" white rectangles
- (2) 1 1/2" red squares
- (3) 2" red squares

Block Assembly:

Draw a diagonal line on the back of the white 2" squares.

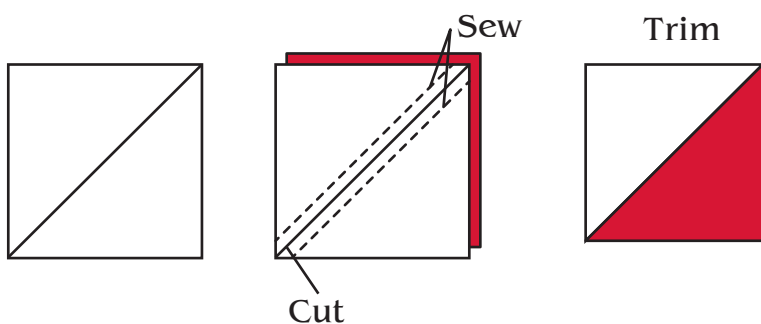
Layer right sides together, a red and white 2" square.

Sew a 1/4" on both sides of the drawn line.

Cut apart on the drawn line.

Press and trim to 1 1/2" square.

Make 6 half square triangles.



Assembly Diagram

